

Setting Up the Printer Hardware

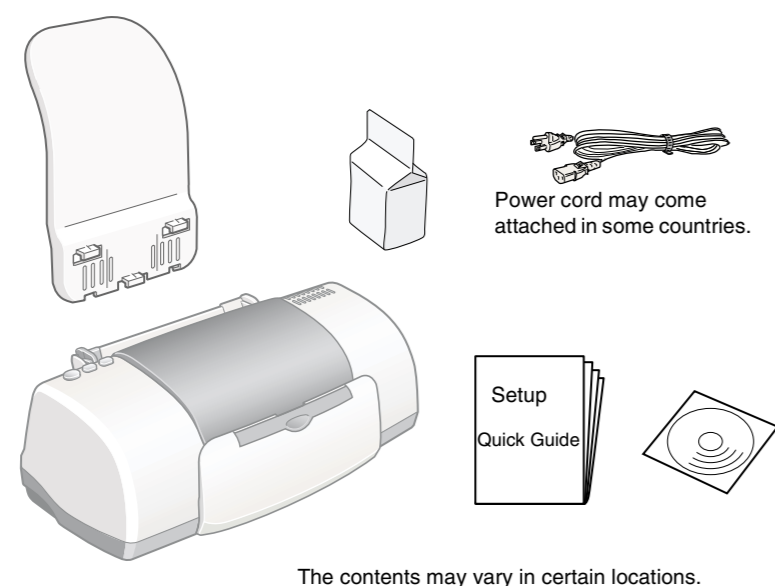
Warnings, Cautions, and Notes

Warnings must be followed carefully to avoid bodily injury.

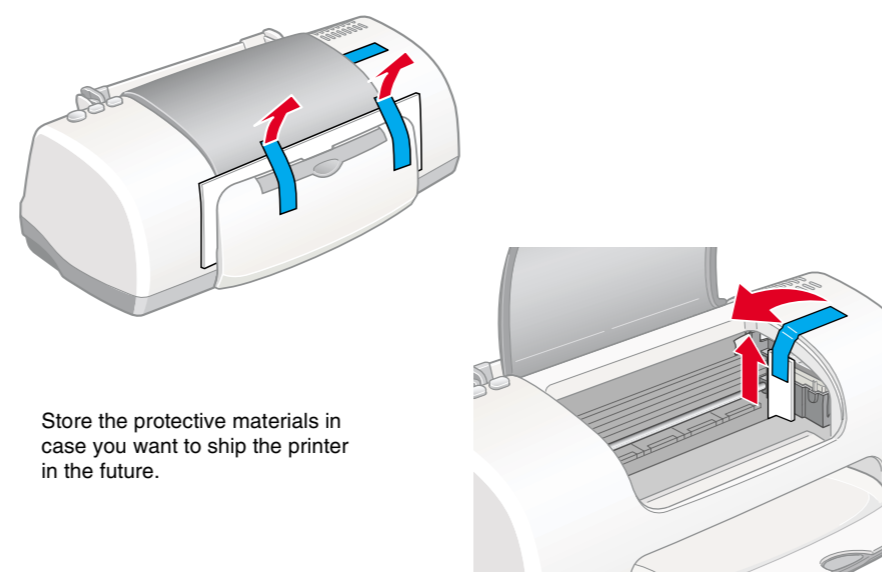
Cautions must be observed to avoid damage to your equipment.

Notes contain important information and useful tips on the operation of your printer.

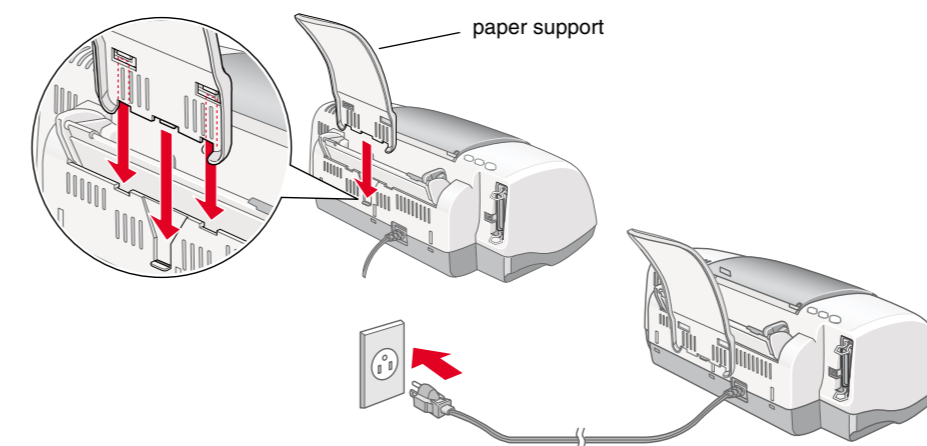
1. Unpack



2. Remove protective materials



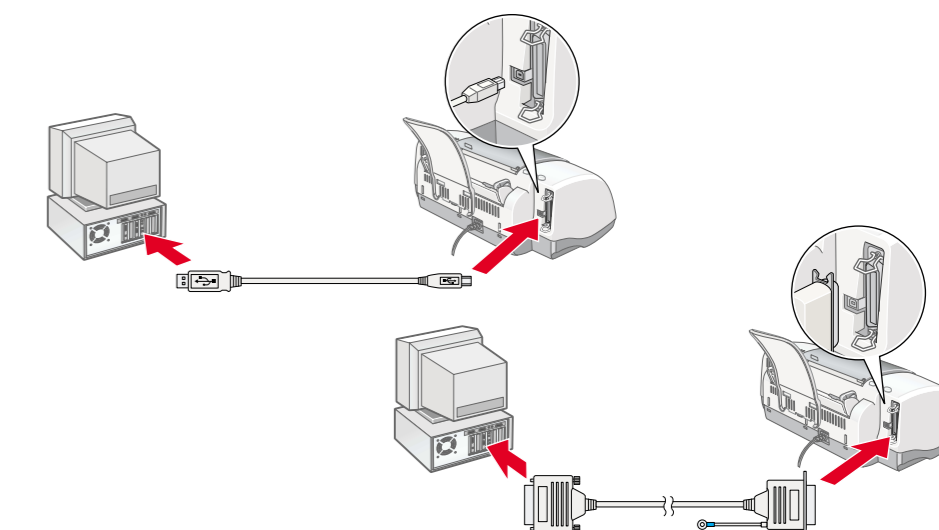
3. Attach the printer parts



Caution: If the printer comes on when you plug in the power cord, turn off the printer by pressing down the power button until the printer lights go out.

4. Connect the printer

Connect the printer cable to the ports on the computer and the printer.



Installing the Printer Software and the Ink Cartridges

For Windows

- Make sure that printer is off, then turn on your computer.
- Insert the printer software CD in the CD-ROM drive. If the Installer dialog box does not appear, double-click **SETUP.EXE** in the CD-ROM.
- Select **Install Printer Driver/Utility**, and click **Next**.
- Click **OK** in the dialog box that appears.
- When a message appears prompting you to turn on the printer, press the power button. The print head moves to the ink cartridge installation position and the Setup utility starts automatically.



Caution: Do not move the print head by hand, as this may damage the printer.

- Follow the Setup utility's on-screen instructions to install the ink cartridges.

Note: If the Setup utility does not start, follow the instructions in the Macintosh section of this sheet, beginning from "3. Install the ink cartridges."

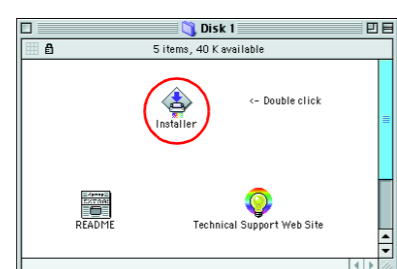
When ink cartridge installation is complete, proceed to "Load paper and check the print head nozzles" on this sheet.

For Macintosh

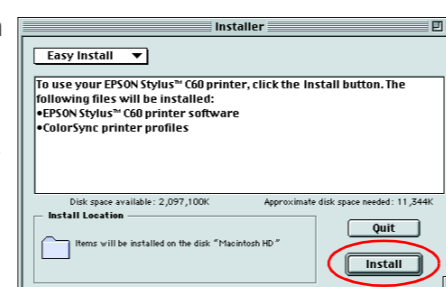
1. Install the printer software

Caution: Turn off all virus protection programs before you install the printer software.

- Make sure that printer is off, then turn on your Macintosh and insert the software CD in the CD-ROM drive.
- Double-click the **Install Software** folder, then double-click the **Installer** icon inside it.
- Click **Continue**.



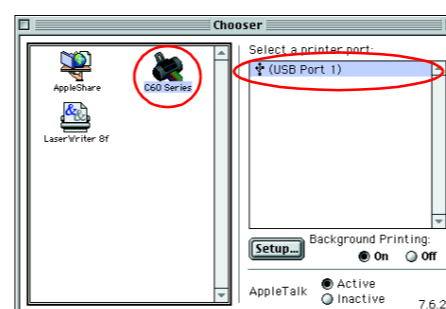
- Make sure that the Install Location box displays the correct drive, then click **Install**.
- Follow the on-screen instructions to install the printer software.



2. Select the printer

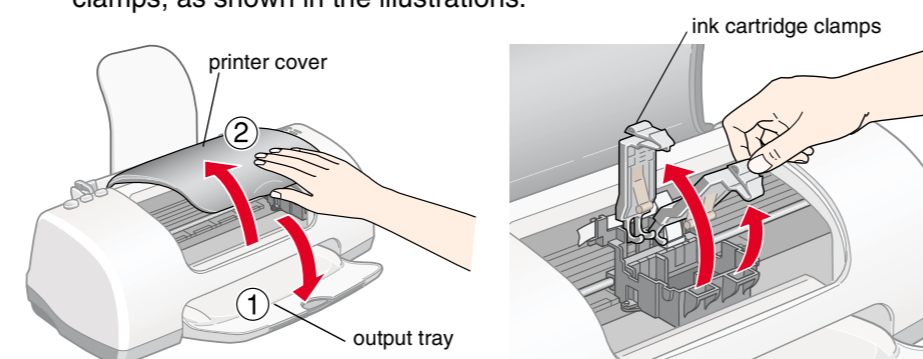
After you have installed the printer software, you need to select your printer.

- Press the power button to turn on the printer. The print head moves to the ink cartridge installation position.
- Choose **Chooser** from the Apple menu. Then, select the icon for your printer and the port that your printer is connected to.
- Close the Chooser.



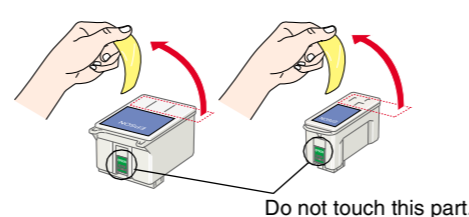
3. Install the ink cartridges

- Open the output tray and the printer cover, then lift up the ink cartridge clamps, as shown in the illustrations.

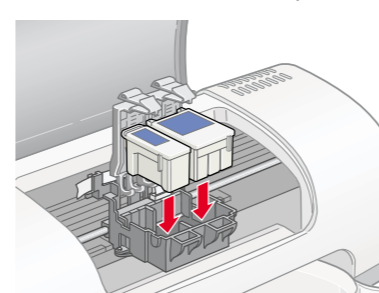


Caution: Do not move the print head by hand, as this may damage the printer.

- Remove only the yellow tape from the new ink cartridges.

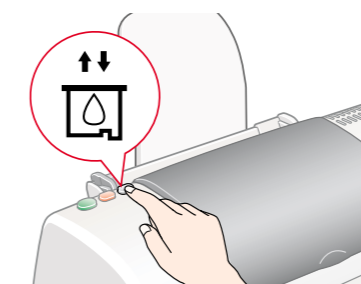


- Position the tabs on each ink cartridge so that they are resting on top of the tabs protruding from the base of the ink cartridge clamps. Do not apply excessive force to the cartridges.



Note: Install both ink cartridges. The printer will not work with only one cartridge.

- Lower the ink cartridge clamps until they lock into place.
- Close the printer cover.
- Press the ink cartridge replacement button. The printer moves the print head and begins charging the ink delivery system. This process takes about one and a half minutes. While the ink is charging, the power light flashes and the printer produces a variety of mechanical sounds. These sounds are normal.



Caution:

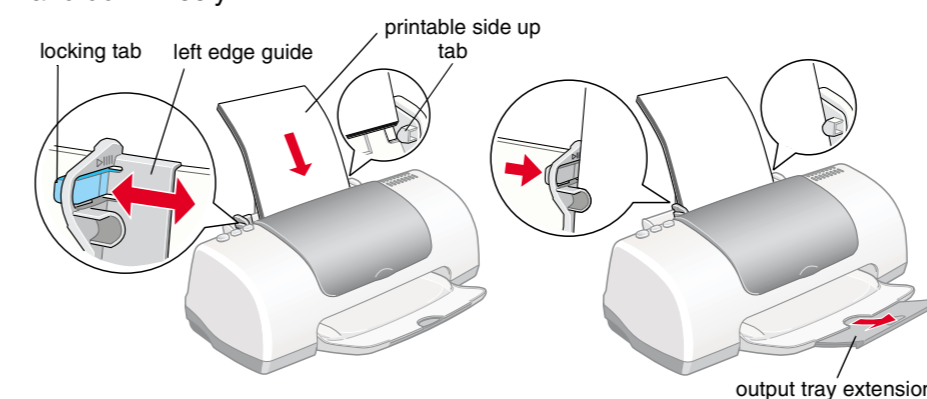
- Do not turn the power off during the ink charging process.
- Do not load paper until ink charging is complete.

When the ink charging process is finished, the power light stops flashing and remains on.

When ink cartridge installation is complete, proceed to "Load paper and check the print head nozzles" on this sheet.

Load paper and check the print head nozzles

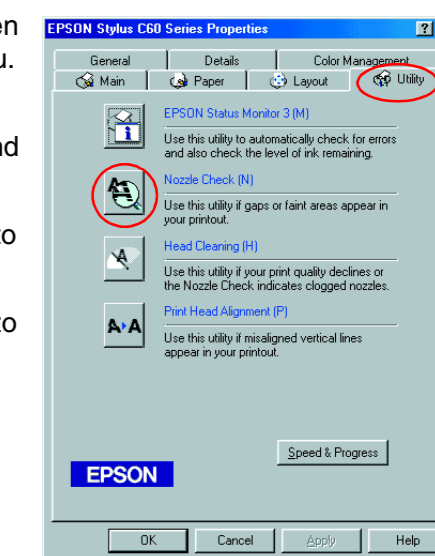
Before checking the print head nozzles, you need to load paper as shown below. When loading the paper, make sure that the paper stack fits under the tabs inside the edge guides and does not exceed the loading limit indicated by the arrow mark on the left edge guide. To adjust the left edge guide, hold down the locking tab and slide the guide against the paper stack. Make sure that the position of the edge guide allows the paper to move up and down freely.



Once paper is loaded, follow these steps to check the print head nozzles.

For Windows users

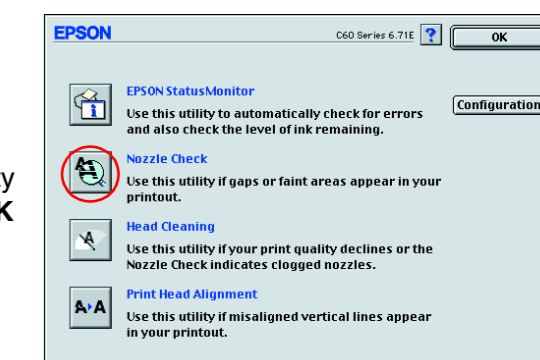
- Click the **Start** button, point to **Settings**, and click **Printers**.
- Select the icon for your printer, then click **Properties** on the File menu. Then click the **Utility** tab.
- Click the **Nozzle Check** button, and follow the on-screen instructions.
- When you are finished, click **OK** to close the Properties dialog box.



Your printer is now set up and ready to use.

For Macintosh users

- Select **Page Setup** in the Finder's **File** menu.
- Click the utility icon.
- Click the **Nozzle Check** button, and follow the on-screen instructions.
- When you are finished, click **OK** to close the utility dialog box. Then click **OK** to close the Page Setup dialog box.



Your printer is now set up and ready to use.

All rights reserved. No part of this publication may be reproduced, stored in a retrieval system, or transmitted in any form or by any means, electronic, mechanical, photocopying, recording, or otherwise, without the prior written permission of SEIKO EPSON CORPORATION. The information contained herein is designed only for use with this EPSON printer. EPSON is not responsible for any use of this information as applied to other printers. Neither SEIKO EPSON CORPORATION nor its affiliates shall be liable to the purchaser of this product or third parties for damages, losses, costs, or expenses incurred by the purchaser or third parties as a result of accident, misuse, or abuse of this product or unauthorized modifications, repairs, or alterations to this product, or (excluding the U.S.) failure to strictly comply with SEIKO EPSON CORPORATION's operating and maintenance instructions.

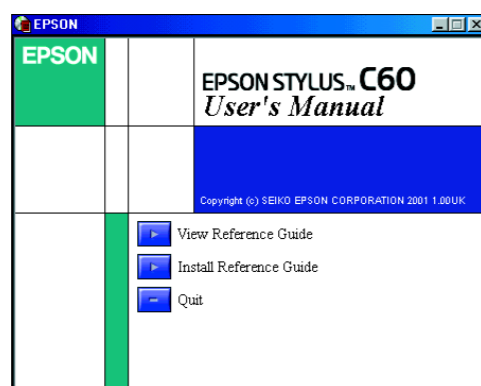
SEIKO EPSON CORPORATION shall not be liable for any damages or problems arising from the use of any options or any consumable products other than those designated as Original EPSON Products or EPSON Approved Products by SEIKO EPSON CORPORATION. SEIKO EPSON CORPORATION shall not be held liable for any damage resulting from electromagnetic interference that occurs from the use of any interface cables other than those designated as EPSON Approved Products by SEIKO EPSON CORPORATION. EPSON is a registered trademark and EPSON Stylus is a trademark of SEIKO EPSON CORPORATION. Microsoft and Windows are registered trademarks of Microsoft Corporation.

General Notice: Other product names used herein are for identification purposes only and may be trademarks of their respective owners. EPSON disclaims any and all rights in those marks.

Using the Online Reference Guide

Follow these steps to access the online *Reference Guide*.

1. Insert the printer software CD in the CD-ROM drive.
2. For Windows, select **User's Manual** in the Installer dialog box and click . For Macintosh, double-click the **User's Manual**.



3. To view the guide from the CD, click **View Reference Guide**. To install the guide, click **Install Reference Guide** and follow the on-screen instructions. When installation is complete, an **ES C60 Guide** icon (Windows) or a **View Reference Guide** icon (Macintosh) appears in the EPSON folder. Double-click the icon to open the guide.

Online Problem solving

For **Windows users**

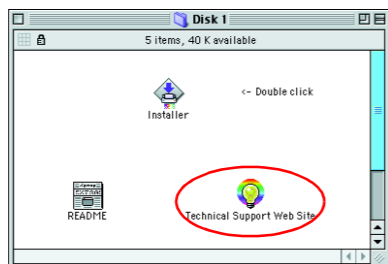
The Problem Solver and EPSON's Technical Support Web Site provide you with tips to help solve any problems you may encounter when using your printer. Access the Problem Solver or Technical Support in one of following ways:

- From the Windows Start menu
Click **Start**, point to **Programs** and then to **Epson**, then click **ES C60 Problem Solver**.
- From Status Monitor 3
Click **Technical Support** in the Status Monitor 3 dialog box.
- From your printer software
Click **Technical Support** on the Main menu of the printer software.

For further information on the customer support services available in your area, see the online *Reference Guide*.

For **Macintosh users**

EPSON's Technical Support Web Site provides help with problems that cannot be solved using the troubleshooting information in your printer documentation. To access Technical Support, insert the CD in the CD-ROM drive and double-click the **Technical Support Web Site** icon in the **Install Software** folder. For further information on the customer support services available in your area, see the online *Reference Guide*.



Accessing the Printer Software

The printer software includes a printer driver and utilities. The printer driver lets you choose from a wide variety of settings to get the best results from your printer. The printer utilities help you check the printer and keep it in top operating condition. Access the printer software as explained in this section.

For **Windows users**

There are three ways to access the printer software.

From Windows applications

1. From the **File** menu of your application, click **Print**. The Print dialog box appears.
2. Select your printer, then click **Properties**, **Printer**, **Setup** or **Options** to access the printer software. (Depending on your application, you need to click a combination of these buttons.)

Note:

When you access the printer software from a Windows application, the settings that you make apply only to the application you are using.

Copyright© 2001 by SEIKO EPSON CORPORATION, Nagano, Japan.

From the Start menu

1. Click **Start**, point to **Settings**, then click **Printers**.
2. Select your printer, then click **Properties** on the **File** menu. If you are Windows 2000 user, select your printer, then click **Printing Preferences** on the **File** menu.

From the taskbar

1. Right-click the printer icon on the taskbar.
2. Select **Printer Settings**.

For Macintosh users

You can access the various printer software dialog boxes as described below.

Dialog Box	How to Access
Print	Click Print on the File menu of your application or click Options in the Page Setup dialog box.
Page Setup	Click Page Setup on the File menu of your application.
Layout	Click the Layout icon button in the Print dialog box.
Utility	Click the Utility icon button in the Print or Page Setup dialog box.

Printing on Special Media

You can print on a wide variety of special media—including ink jet paper, photo quality glossy film, photo paper, transparencies, index cards, and adhesive sheets—and several sizes of envelopes.

- Read the instructions in the media package first.



Caution:

Cleaning sheets packaged with EPSON special media should not be used with this printer. The cleaning function performed by these sheets is not necessary with this type of printer, and the sheets could jam in the printer.

- Load the media printable side up in the sheet feeder. See the instructions packed with the media to determine which side is the printable side. The loading capacity varies by model. For more details on using special media, see "Paper Handling" in the online *Reference Guide*.
- Make sure that the paper stack fits under the tabs inside the edge guide, and does not exceed the loading limit indicated by the arrow mark on the left edge guide.

Replacing Ink Cartridges

You can replace an ink cartridge by using the Status Monitor utility installed on your computer, or by using the printer's control panel. To replace an ink cartridge or check ink levels using the Status Monitor utility, refer to "Using the Status Monitor" in the online *Reference Guide*. To replace an ink cartridge using the printer's control panel, follow the steps in this section.

Note:

- You cannot continue printing with one ink cartridge empty, even if the other cartridge still contains ink. Before printing, replace the empty cartridge.*
- In addition to the ink used during document printing, ink is consumed during the print head cleaning operation, during the self-cleaning cycle which is performed when the printer is turned on, and during ink charging when the ink cartridge is installed in the printer.*

1. Make sure that the printer is on, but not printing. Then open the printer cover.
2. Press the ink cartridge replacement button. The print head moves to the ink replacement position.



Caution:

Do not move the print head by hand, as this may damage the printer. Always press the ink cartridge replacement button to move it.

3. Install the new ink cartridges (Black: T028, Color: T029) as explained on the reverse side of this sheet in the "3. Install the ink cartridges" section.

Note:

Dispose of the used cartridge properly. Do not take it apart or try to refill it.

Panel Operation

Button	Function
power	Turns the printer on and off. Clears the printer's memory if pressed twice while the power is on.
maintenance	Loads or ejects paper if pressed and released within three seconds. Resumes printing if pressed and released after a paper out error. Performs print head cleaning if pressed for three seconds when the error light is off. Moves the print head to the ink cartridge replacement position and charges ink to the printer when ink is out.
ink cartridge replacement	Moves the print head to the ink cartridge replacement position and charges ink to the printer.

See the online *Reference Guide* for details.

Error Indicators

You can identify many common problems using lights on the printer's control panel. Use the following table of panel light patterns to diagnose the problem, then follow the recommended corrective measures.

Lights	Problem and Solution	
Paper out	No paper is loaded in the printer.	Check EPSON Status Monitor 3* or EPSON StatusMonitor*. Load paper in the sheet feeder, then press the maintenance button. The printer resumes printing and the light goes out.
Paper jam	Paper has jammed in the printer.	Check EPSON Status Monitor 3* or EPSON StatusMonitor*. Press the maintenance button to eject the jammed paper. If the error does not clear, open the printer cover and remove all of the paper inside, including any torn pieces. Then reload the paper in the sheet feeder and press the maintenance button to resume printing.
Ink low	The black or color ink cartridge is nearly empty.	Obtain a replacement black or color ink cartridge. To determine which cartridge is nearly empty, check the ink level using EPSON Status Monitor 3* or EPSON StatusMonitor*.
Ink out	The black or color ink cartridge is empty or is not installed.	Replace the black or color ink cartridge with a new one.
Wrong cartridge	The installed black or color ink cartridge cannot be used by this printer.	Use the appropriate black or color ink cartridge.
Carriage error	The print head carriage is obstructed by jammed paper or other foreign material and cannot return to the home position.	Turn off the printer. Open the printer cover and remove any paper from the paper path by hand. Then, turn the printer back on. If the error does not clear, contact your dealer.
Unknown printer error	An unknown printer error has occurred.	Turn off the printer and contact your dealer.

● = on, ○ = off, ◐ = flashing

* EPSON Status Monitor 3 is for Windows; EPSON StatusMonitor is for Macintosh.

Safety Instructions

Read all of the instructions in this section when setting up and using your printer.

When choosing a place for the printer

- Avoid places subject to rapid changes in temperature and humidity. Also, keep the printer away from direct sunlight, strong light, or heat sources.
- Avoid places subject to dust, shocks, and vibrations.
- Leave enough room around the printer to allow for sufficient ventilation.
- Place the printer near a wall outlet where the plug can be easily unplugged.
- Place the printer on a flat, stable surface that extends beyond the printer base in all directions. The printer will not operate properly if it is tilted at an angle.

When choosing a power source

- Use only the type of power source indicated on the printer's label.
- Do not use a damaged or frayed power cord.

- If you use an extension cord with the printer, make sure that the total ampere rating of the devices plugged into the extension cord does not exceed the cord's ampere rating. Also, make sure that the total ampere rating of all devices plugged into the wall outlet does not exceed the wall outlet's ampere rating.
- If you plan to use the printer in Germany, the building installation must be protected by a 10 or 16 amp circuit breaker to provide adequate short-circuit protection and over-current protection for this printer.

When handling ink cartridges

- Do not open the ink cartridge packages until just before you install them.
- Keep ink cartridges out of the reach of children. Do not allow children to drink from or otherwise handle the cartridges.
- Be careful when you handle used ink cartridges, as there may be some ink remaining around the ink supply port. If ink gets on your skin, wash the area thoroughly with soap and water. If ink gets into your eyes, flush them immediately with water. If discomfort or vision problems remain after a thorough flushing, see a doctor immediately.
- Do not shake the ink cartridges; this can cause leakage.
- You must remove the yellow tape seals from the cartridges before installing them; otherwise, the cartridges will become unusable.
- Do not remove the blue portion of the tape seal from the top of the cartridges.
- Do not remove the tape seals from the bottom of the cartridges.
- Do not touch the green IC chip on the side of the cartridge. This may affect normal operation and printing.
- The IC chip on this ink cartridge retains a variety of cartridge related-information, such as the amount of ink remaining, so that a cartridge may be removed and reinserted freely. However, each time the cartridge is inserted, some ink is consumed because the printer automatically performs a reliability check.

When using the printer

- Do not put your hand inside the printer or touch the ink cartridges during printing.
- Do not block or cover the openings in the printer's cabinet.
- Do not attempt to service the printer yourself.
- Unplug the printer and refer servicing to qualified service personnel under the following conditions:
The power cord or plug is damaged; liquid has entered the printer; the printer has been dropped or the cabinet damaged; the printer does not operate normally or exhibits a distinct change in performance.
- Do not insert objects through the slots in the printer's cabinet.
- Take care not to spill liquid on the printer.

Information for United Kingdom Users

Use of options

EPSON (UK) Limited shall not be liable against any damages or problems arising from the use of any options or consumable products other than those designated as Original EPSON Products or EPSON Approved Products by EPSON (UK) Limited.

Safety information



Warning:

This appliance must be earthed. Refer to the rating plate for the voltage and check that the appliance voltage corresponds to the supply voltage.
Important: *The wires in the mains lead fitted to this appliance are coloured in accordance with the following code:*
Green and yellow — Earth
Blue — Neutral
Brown — Live

If you have to fit a plug:

As the colours of the mains lead of this appliance may not match the coloured markings used to identify the terminals in a plug, please observe the following:

- The green and yellow wire must be connected to the terminal in the plug which is marked with the letter E or the earth symbol (⏏).
- The blue wire must be connected to the terminal in the plug marked with the letter N.
- The brown wire must be connected to the terminal in the plug marked with the letter L.
- If the plug is damaged, replace the cord set or consult a qualified electrician.
- Replace fuses only with fuses of the correct size and rating.